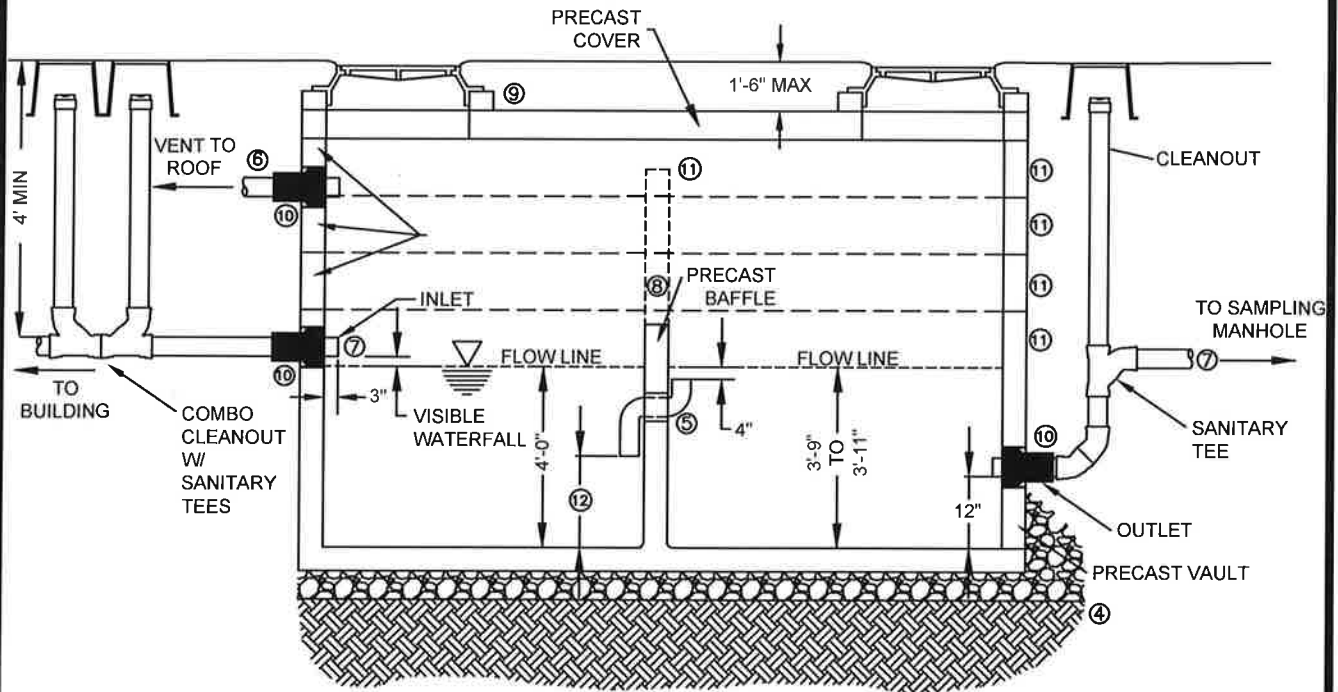


PLAN VIEW



PROFILE VIEW

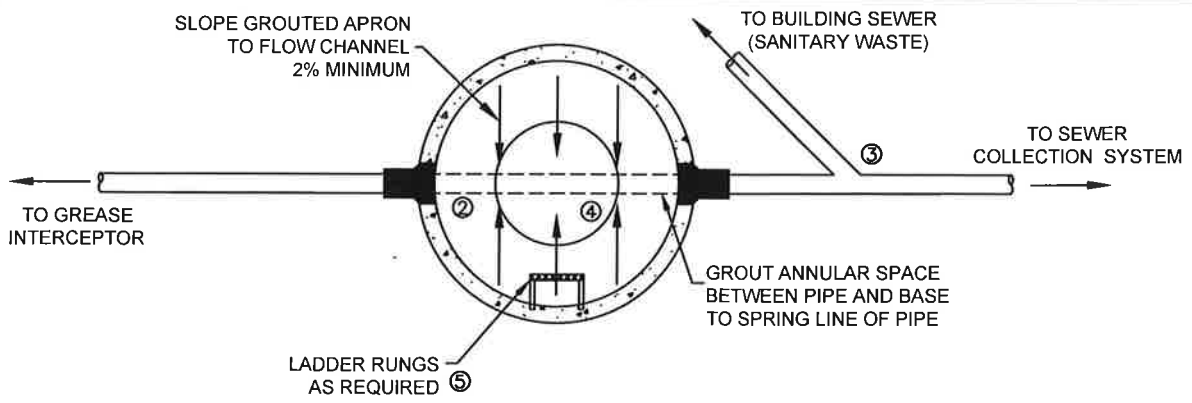
NOTES:

- ① THE GREASE INTERCEPTOR CAPACITY IS DEFINED AS THE STORAGE VOLUME OF THE VAULT BELOW THE OUTLET PIPE ELEVATION.
- ② THE GREASE INTERCEPTOR SHALL HAVE A MINIMUM CAPACITY OF 1000 GALLONS.
- ③ SANITARY WASTES SHALL NOT BE PLUMBED TO GREASE INTERCEPTOR.
- ④ THE GREASE INTERCEPTOR SHALL BE INSTALLED LEVEL AND ON A COMPACTED FOUNDATION WITH APPROVED BEDDING MATERIAL AS PER APPLICABLE CITY REQUIREMENTS.
- ⑤ PIPING THROUGH BAFFLE WALL SHALL BE 6" SOLVENT WELD PVC. THE INLET AND OUTLET PIPES SHALL BE GASKETED PVC.
- ⑥ GREASE INTERCEPTOR SHALL BE VENTED INDEPENDENTLY THROUGH THE BUILDING, AWAY FROM AIR INTAKES, MIN SIZE 2". VENT MUST BE ABOVE MAXIMUM WATERLINE. OIL SAND SEPARATORS MAY HAVE VENTED LIDS IN LIEU OF SEPARATE VENT THROUGH BUILDING ROOF. (I.E. AUTO SHOPS, CAR WASHES)
- ⑦ THE INLET PIPE SHALL BE BETWEEN ONE AND THREE INCHES HIGHER THAN THE OUTLET PIPE.
- ⑧ THE DIMENSIONS AND CONFIGURATION OF THE VAULT AND BAFFLE SHALL BE ACCORDING TO THE MANUFACTURER'S REQUIREMENTS FOR THE SIZE OF INTERCEPTOR INSTALLED. CHAMBERS SHALL BE EQUAL VOLUMES. THE TOP OF THE BAFFLE WALL SHALL BE AT LEAST 3" ABOVE THE CROWN OF THE INLET PIPE AND SHALL MAINTAIN A 3" GAP FROM THE BOTTOM OF THE COVER.
- ⑨ NO MORE THAN 12" OF GRADE RINGS ARE ALLOWED.
- ⑩ CORED FOR FLEXIBLE RUBBER BOOT PIPE CONNECTOR. FLEXIBLE PIPE CONNECTOR GROUTED FROM INSIDE AFTER INSTALLATION.
- ⑪ VAULT RISER SECTIONS AS REQUIRED, INCLUDING BAFFLE WALL EXTENSIONS (JOINT SEALANT AT ALL JOINTS).
- ⑫ HALFWAY BETWEEN FLOOR AND FLOW LINE (DEPTH OF FLOW MIDPOINT).

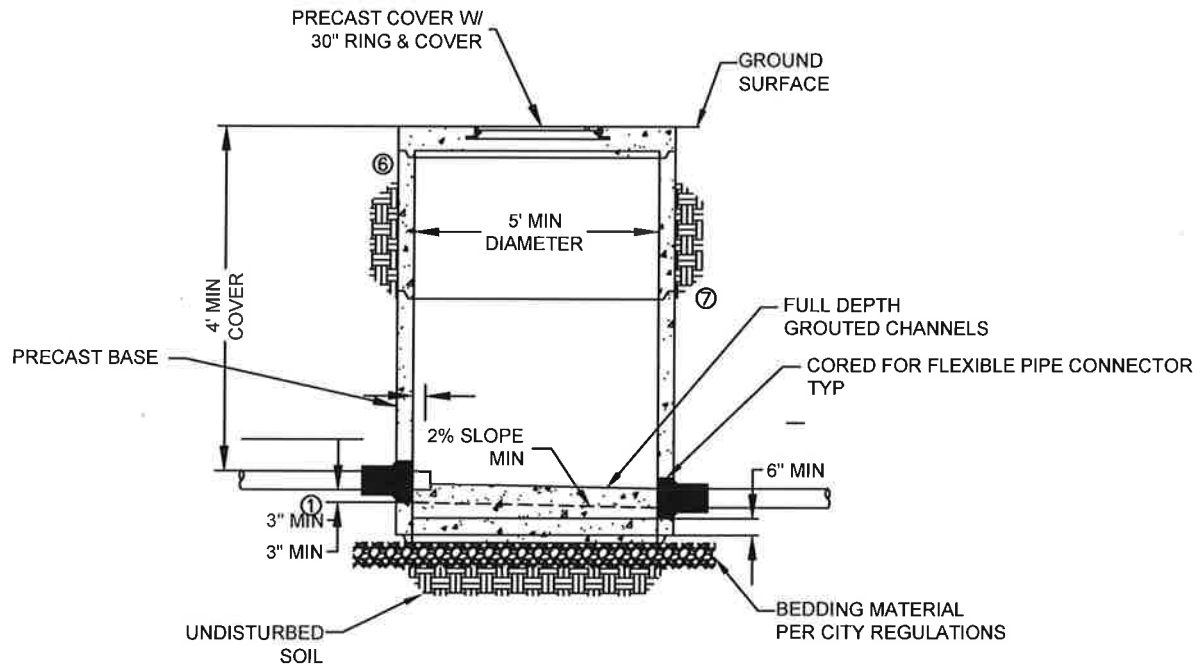
4					
8					
8					
1	100019	SWRF STANDARD	SP	TV	BRD
NO	DATE	REVISION	BY	CHK	APP



INTERCEPTORS			
DESIGN	DESIGNED	CHECKED	APPROVED
DATE	FILE NAME	DRAWING NAME	
DEC 2019	SWRF GREASE INT	PT-1	



PLAN VIEW



PROFILE VIEW

NOTES:

- ① BOTTOM OF INLET PIPE INTO MANHOLE MUST BE AT LEAST 3-INCHES ABOVE THE BOTTOM OF THE TROUGH AND EXTENDED 3-INCHES BEYOND THE INSIDE OF THE MANHOLE WALL.
- ② WIDTH AND DIAMETER OF GROUTED TROUGH MUST BE THE SAME AS DIAMETER OF INLET AND OUTLET PIPE.
- ③ SANITARY WASTE LINE MUST CONNECT DOWNSTREAM OF SAMPLING MANHOLE.
- ④ MANHOLE OPENING SHALL BE CENTERED OVER INLET PIPE.
- ⑤ IF SAMPLING MANHOLE IS DEEPER THAN 48-INCHES, THEN LADDER RUNGS SHALL BE INSTALLED ON EITHER SIDE OF OUTLET.
- ⑥ PRECAST CONICAL TOP SECTIONS ARE NOT ALLOWED, CONCENTRIC OR ECCENTRIC.
- ⑦ MANHOLE RISERS SECTIONS AS REQUIRED (JOINT SEALANT AT ALL JOINTS).

4					
5					
6					
7					
8					
9					
10					



<i>SAMPLING MANHOLES</i>			
DESIGN	DRAWN	CHECKED	APPROVED
DATE	JOB NAME	DRAWING NAME	
JAN 2020	SWRF SAMPLING MH	PT-2	